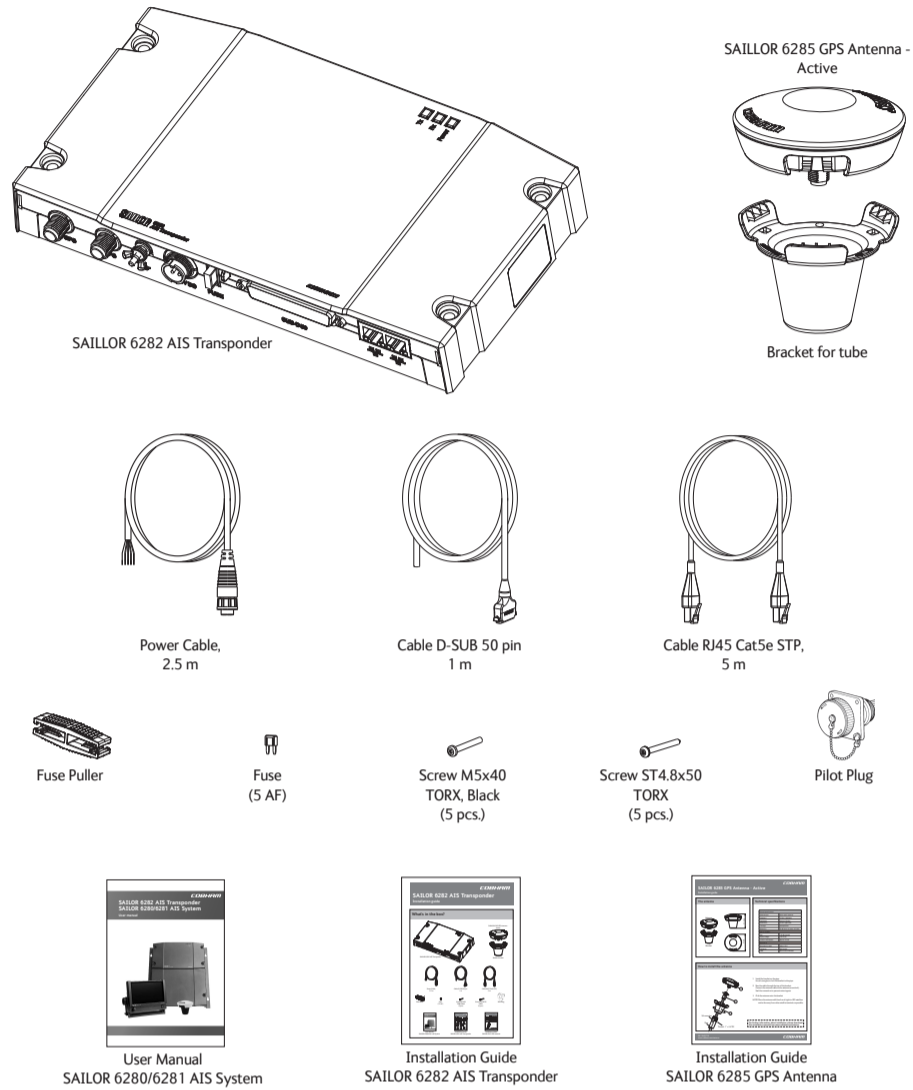


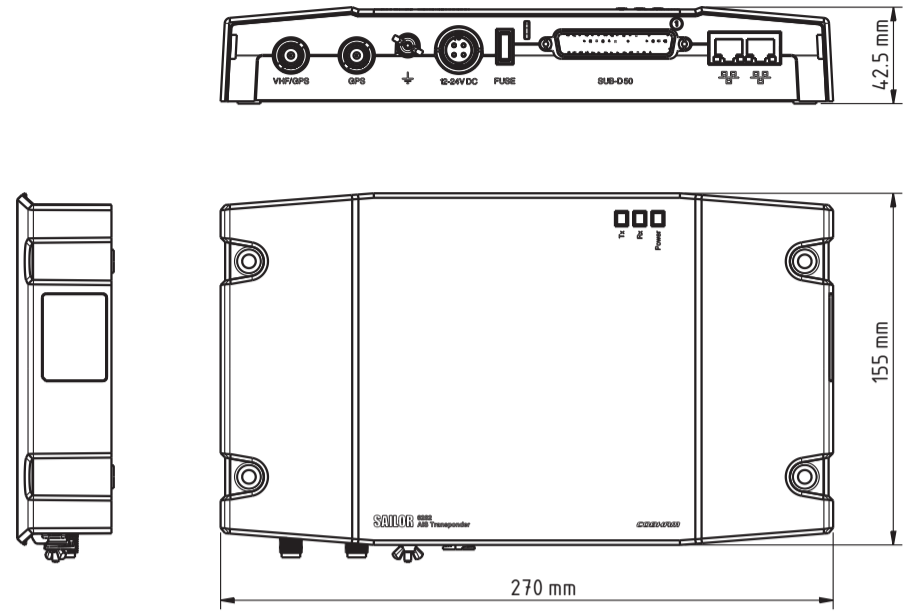
# SAILOR 6282 AIS Transponder

## Installation guide

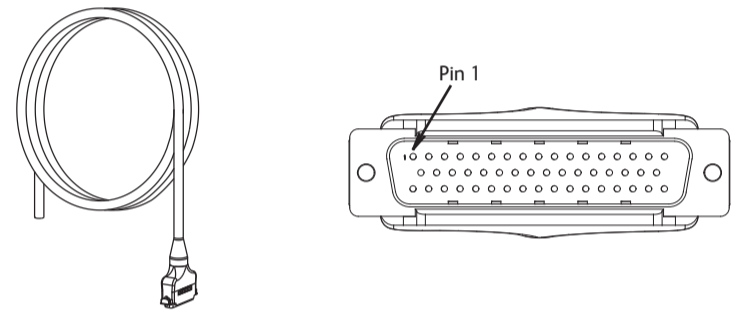
### What's in the box?



### Dimensions for SAILOR 6282 AIS Transponder

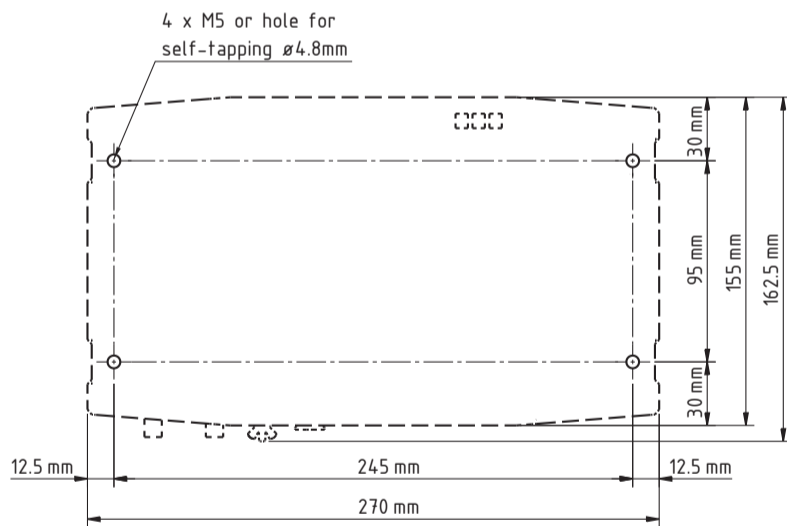


### Cable D-SUB 50 pin - Connections

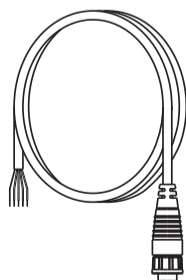


Description	Pin	Wire colour
SENSOR 3 Rx C	1	Black
SENSOR 3 Rx B	2	Brown
SENSOR 3 Rx A	3	Red
SENSOR 2 Rx C	4	Orange
SENSOR 2 Rx B	5	Yellow
SENSOR 2 Rx A	6	Green
BLUESIGN N	11	Blue
AUX	12	Purple
ON_IN	13	Grey
BLUESIGN C	14	White
ON_OUT	15	Pink
PI 4 Rx A	18	Light Green
PI 4 Rx B	19	Light Blue
PI 4 Rx C	20	Black/White
PI 4 Tx A	21	Brown/White
PI 4 Tx B	22	Red/White
PI 1 Tx B	23	Orange/White
PI 1 Tx A	24	Yellow/White
PI 1 Rx C	25	Green/White
PI 1 Rx B	26	Blue/White
PI 1 Rx A	27	Purple/White
SENSOR 1 Rx A	28	Grey/White
1W	29	Brown/Black
ALARM COM	30	Red/Black
ALARM NC	31	Orange/Black
DC- (0V DC)	32	Yellow/Black
PI 3 Tx B	34	Green/Black
PI 3 Tx A	35	Blue/Black
PI 3 Rx C	36	Purple/Black
PI 3 Rx B	37	Grey/Black
PI 3 Rx A	38	Brown/Red
PI 2 Tx B	39	Orange/Red
PI 2 Tx A	40	Green/Red
PI 2 Rx C	41	Blue/Red
PI 2 Rx B	42	Purple/Red
PI 2 Rx A	43	Grey/Red
SENSOR 1 Rx C	44	White/Red
SENSOR 1 Rx B	45	Yellow/Green
BLUESIGN P	46	Black/Red
ALARM NO	47	Blue/Green
DC- (0V DC)	48	Purple/Green
DC- (0V DC)	49	Grey/Green
CABLE SHIELD	50	Drain wire

### How to install the transponder



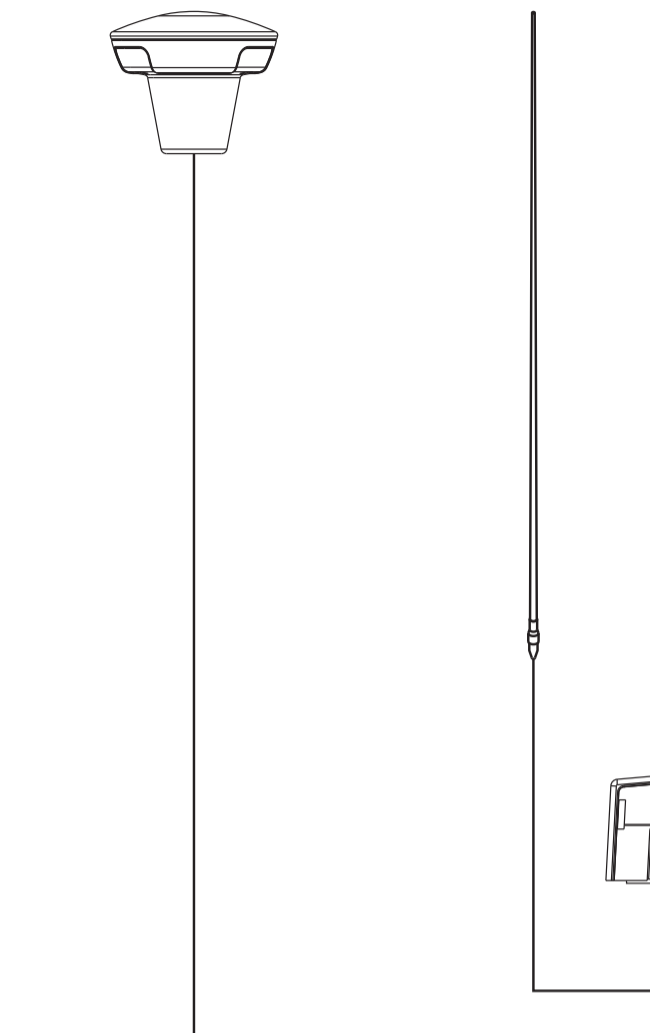
### Power cable - Connections



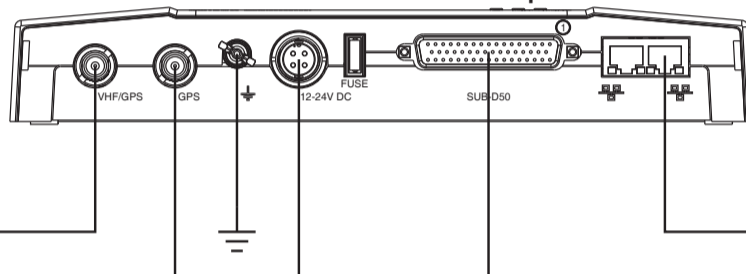
Description	Pin	Wire color	Pin assignments Front view
DC+ (10.8-32V DC)	1	Red	
DC- (0V DC)	2	Black	
ON_IN (Must be connected to DC- to switch on the transponder)	3	White	
ON_OUT	4	Blue	
Outer shield must be connected to ground	Shield		

## System Configuration - Example

SAILOR 6285  
GPS Antenna - Active VHF Antenna



SAILOR 6282 AIS Transponder

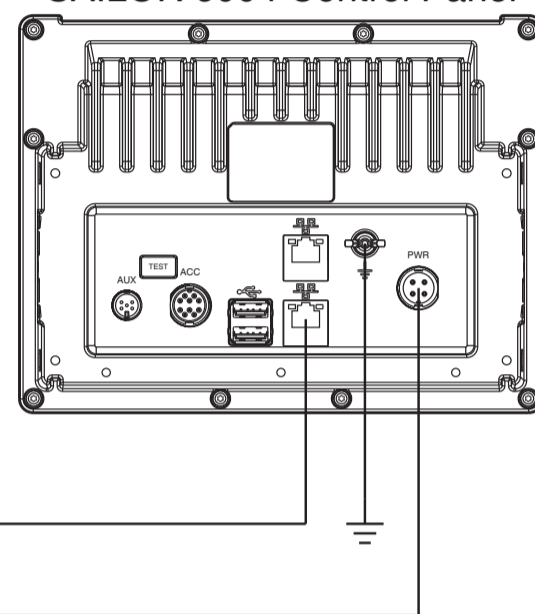


12-24 VDC

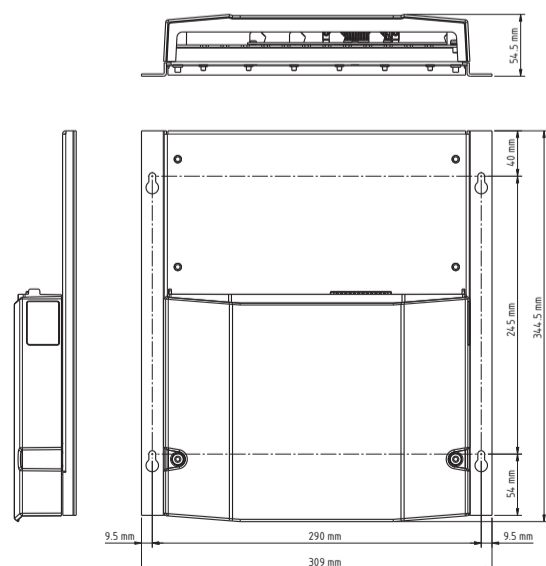
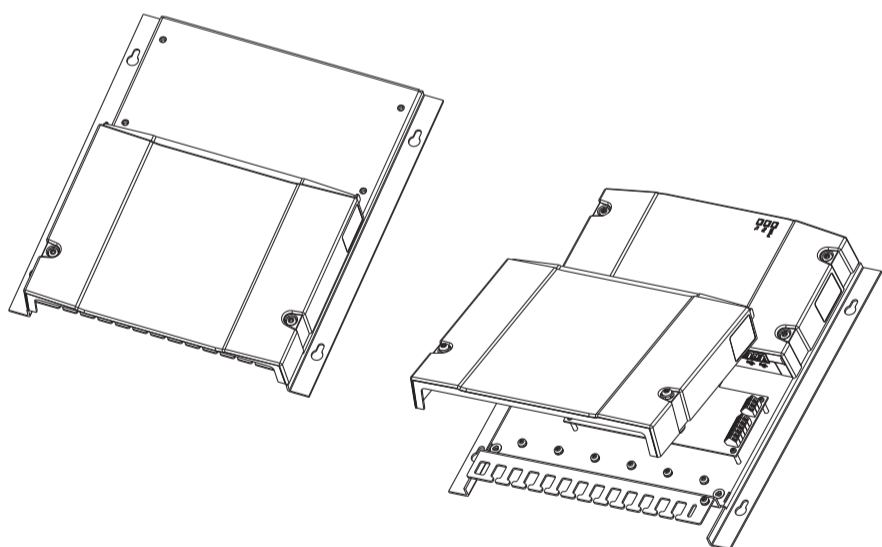
Connector for interface connections  
or connection board

For further information, download the installation manual from [www.cobham.com/satcom](http://www.cobham.com/satcom)

SAILOR 6004 Control Panel



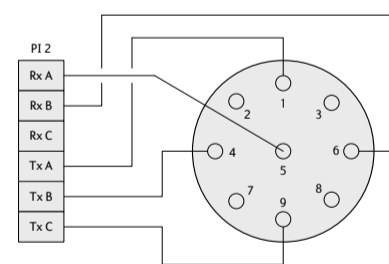
## Option - SAILOR 6283 Connection Box, for easy installation



## Pilot plug connections

The pilot plug provides a connection to the SAILOR 6282 AIS Transponder for pilots using the standard pilot plug connector. This Connector is supplied with the SAILOR 6282 AIS Transponder. Mount it in an appropriate position for easy access by the pilot. The connector kit for the pilot plug consists of the following items:

Type	Manufacturer	Part number
Pilot Plug Connector	AMP/Tyco	206486-3, Square Flange
Contact Pins	AMP/Tyco	66570-3, solder type
Sealing Cap	AMP/Tyco	208800-1



## Software upload

1. Connect the AIS Transponder and the Control Panel with the Ethernet cable.
2. Power up the AIS Transponder.
3. Wait 30 seconds.
4. Power up the Control Panel.
5. When the Control Panel shows the home screen wait 30 seconds.
6. When prompted for the user-level password of the Control Panel, enter it (Password: user, see also the Control Panel manual); tap OK to confirm the password. The padlock on the Install button is open now.
7. Tap the Install button again.
8. After successful installation you can start the AIS app in the home screen.
9. In case of problems during the installation, a warning is shown. Repeat the installation procedure. If that fails do as follows:
  - uninstall all previously installed AIS apps from the Installed tab.
  - install the new AIS App (found in the Available tab) again.
  - ensure newest firmware for the Control Panel platform, use the Thrane Management Application (TMA). The TMA can be downloaded from the Cobham SATCOM extranet.

**Disclaimer:** Any responsibility or liability for loss or damage in connection with the use of this product and the accompanying documentation is disclaimed by Thrane & Thrane. The information in this manual is provided for information purposes only, is subject to change without notice and may contain errors or inaccuracies. Manuals issued by Thrane & Thrane are periodically revised and updated. Anyone relying on this information should acquire the most current version e.g. from [cobham.com/satcom](http://cobham.com/satcom) or from the distributor. Thrane & Thrane is not responsible for the content or accuracy of any translations or reproductions, in whole or in part, of this manual from any other source. Thrane & Thrane A/S trading as Cobham SATCOM  
Copyright © 2013 Thrane & Thrane A/S. All rights reserved.