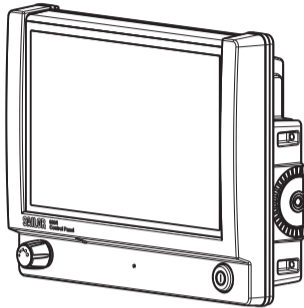
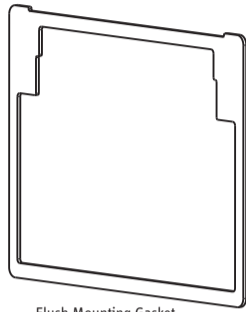


SAILOR 6004 Control Panel

What's in the box?



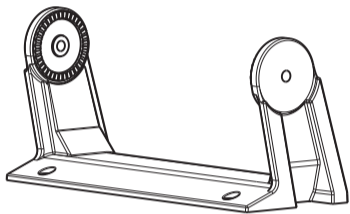
SAILOR 6004 Control Panel



Flush Mounting Gasket



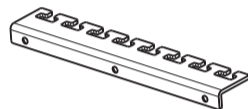
Installation Manual



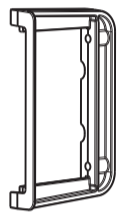
U-Mounting Bracket



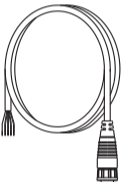
Wheel Knob
(2 pcs.)



Cable Relief Plate



Flush Mount Bracket
(2 pcs.)



Power Cable,
2.5 m



Screw M4x65
TORX 20
(5 pcs.)



Screw M4x12
TORX 20
(5 pcs.)

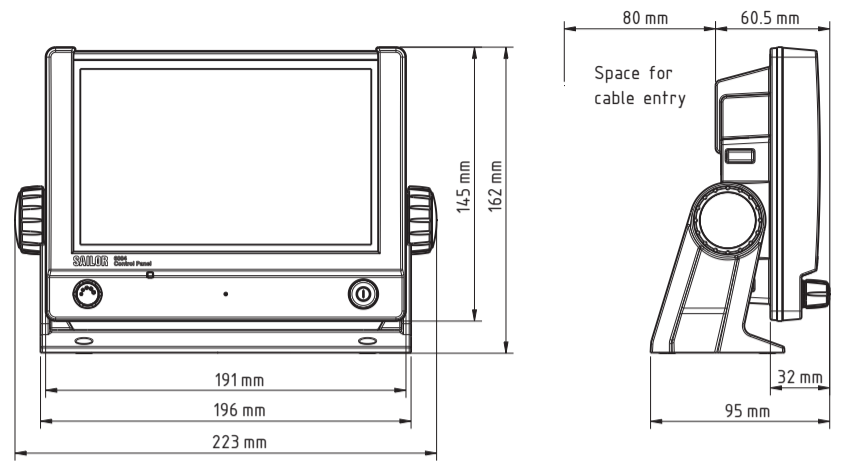


Screw ø3.9x19
TORX 20
(5 pcs.)

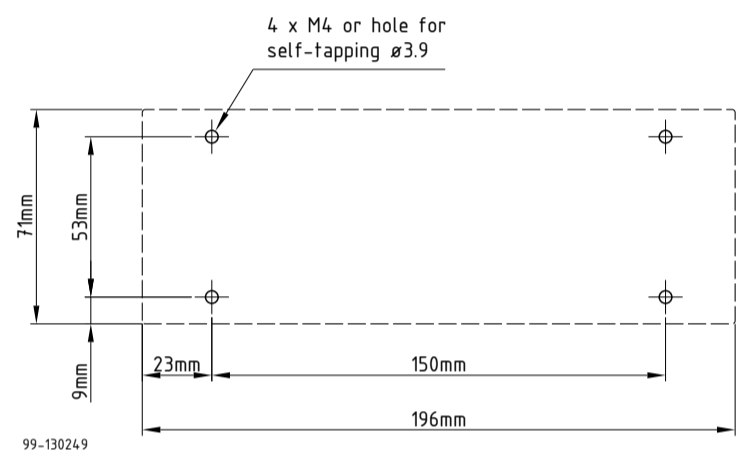


Screw M3x8
Countersink
(4 pcs.)

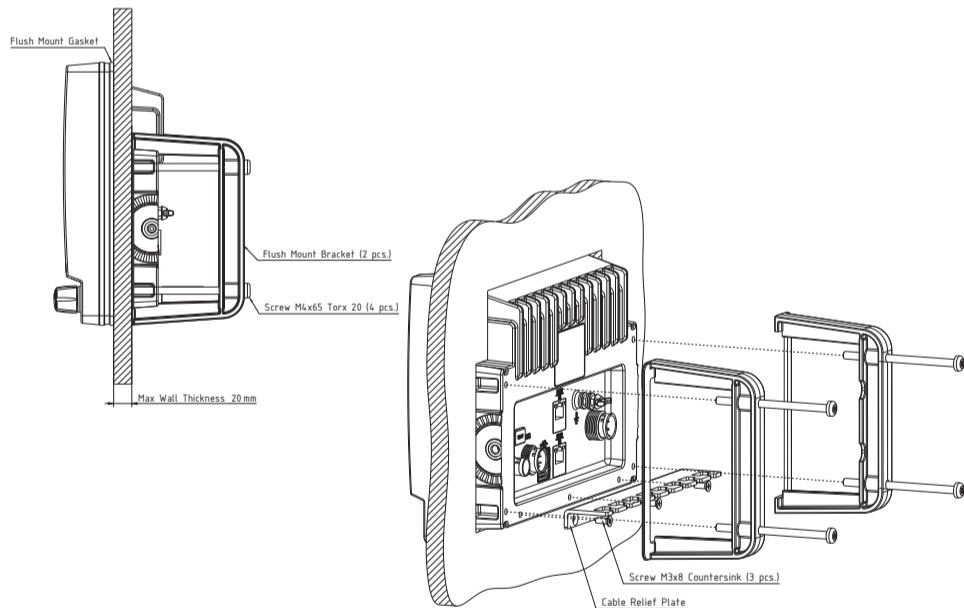
Dimensions



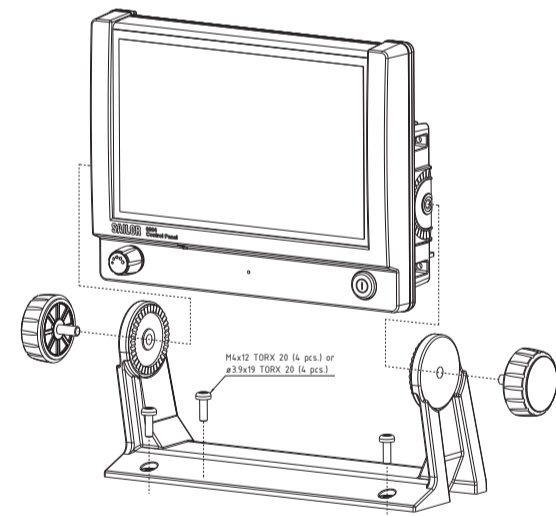
Drilling plan on desktop



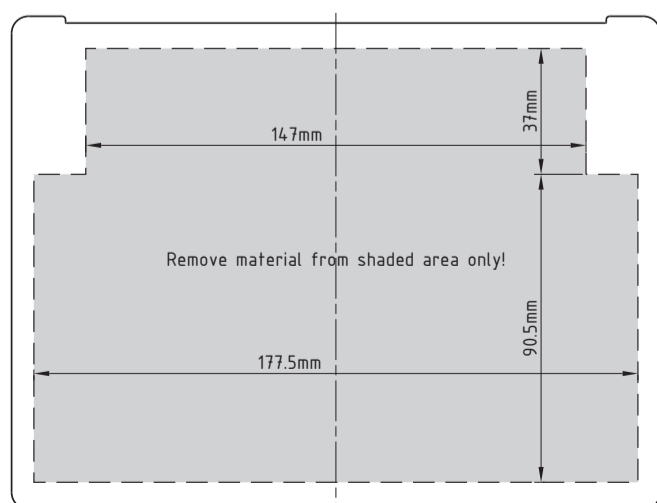
How to install for flush mounting



How to install on the desktop

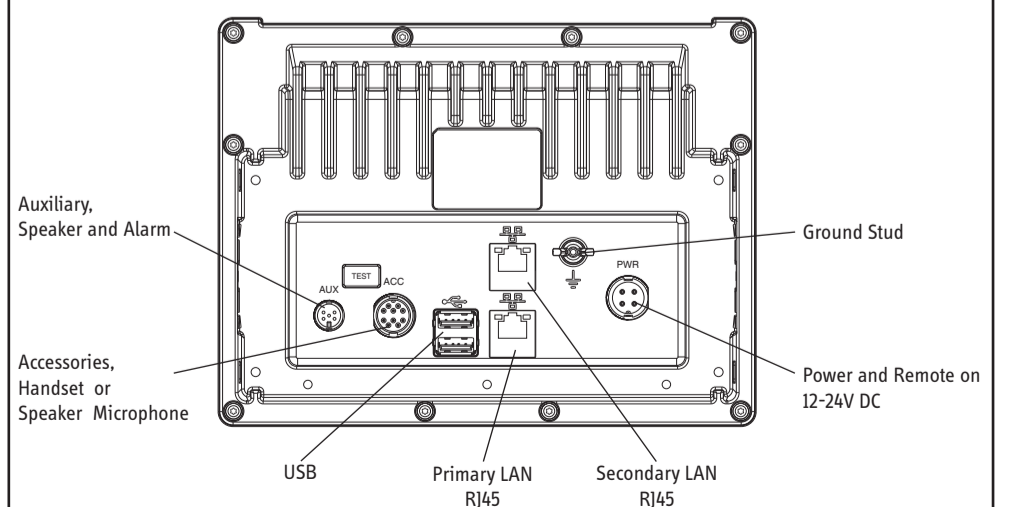


Cutout for flush mounting

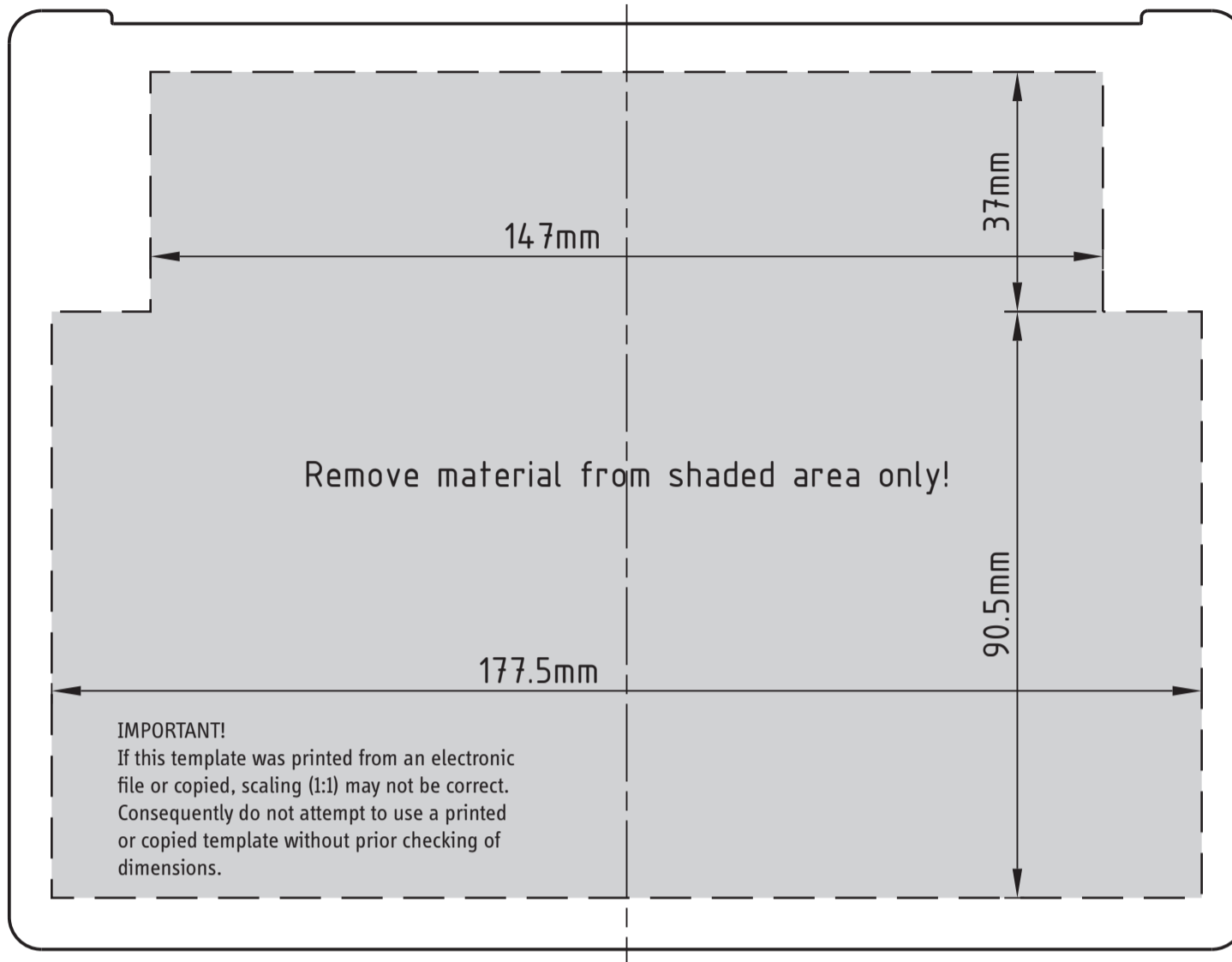


For cutout you may use the drawing scaled 1:1 on the back page.

Connections



Cutout for flush mounting - Scale 1:1

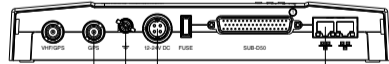


System Configuration - Example

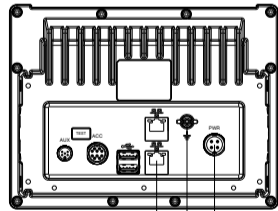
SAILOR 6285
GPS Antenna - Active



SAILOR 6282 AIS Transponder



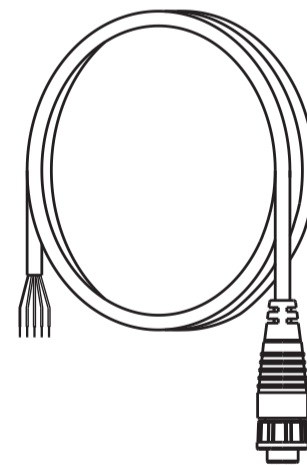
SAILOR 6004 Control Panel

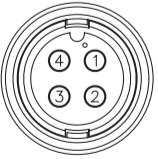


12 - 24VDC

For further information, please download the installation manual from <http://esupport.thrane.com>

Power Cable - Connections



Description	Pin	Wire color	Pin assignments Front view 
12-24V DC+	1	Red	
12-24V DC-	2	Black	
Remote on_in (Can be connected through a switch to ground)	3	White	
On_out (Can be connected to compatible equipment with remote on_in)	4	Blue	
Outer shield must be connected to ground	Shield		